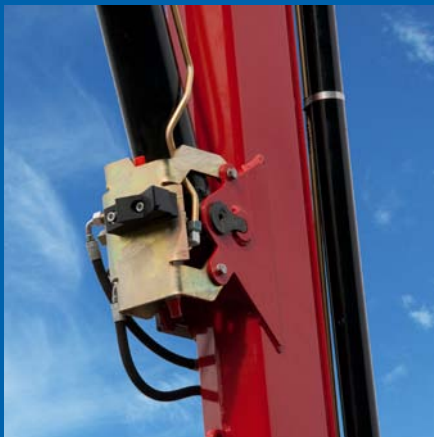


HMF 1720-K



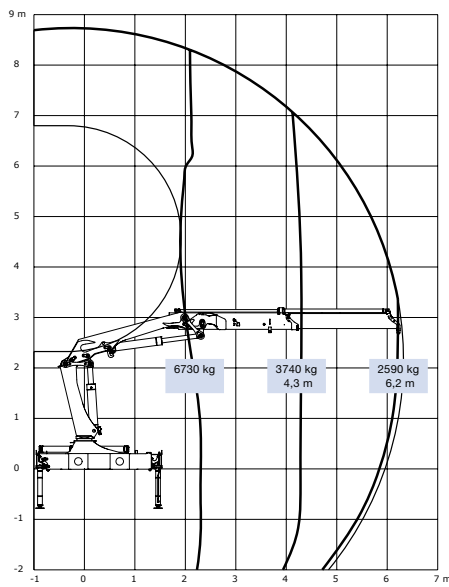
- power to lift.

HMF Knuckle Boom Loader 1720-K

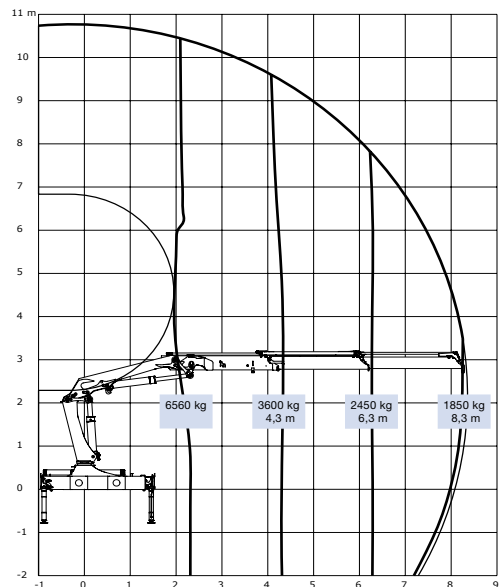
The HMF 1720-K Series

- The HMF 1720-K Series has been developed and tested to reduce the need for maintenance and service thanks to hard wearing and reliable solutions.
- All hoses and pipes are placed internally and are well protected. This protects the hoses and pipes, and gives a perfect interaction between functionality of the loader and ease of maintenance.
- The RCL 5300 is monitoring the conditions of both the loader and the Fly-Jib in relation to load moment, operation and function, this gives the operator a constant, full view of the working situation.
- Models equipped with Fly-Jib and hydraulic winch can be folded in the stowing position with the wire fitted, this supersedes the previous necessity to strip the wire before folding the loader.
- The HMF InfoCentre (Pat. Pending/option) monitors the loader operation and indicates the load moment of both the loader and the Fly-Jib, thus allowing the loader to be operated in the best possible position to solve the lifting task.
- A range of optional extras are available, e.g. hydraulic winch, hydraulic extra valves routed to the end of the Fly-Jib extensions, this allows operation of hydraulic accessories and manual extensions with safety equipment.

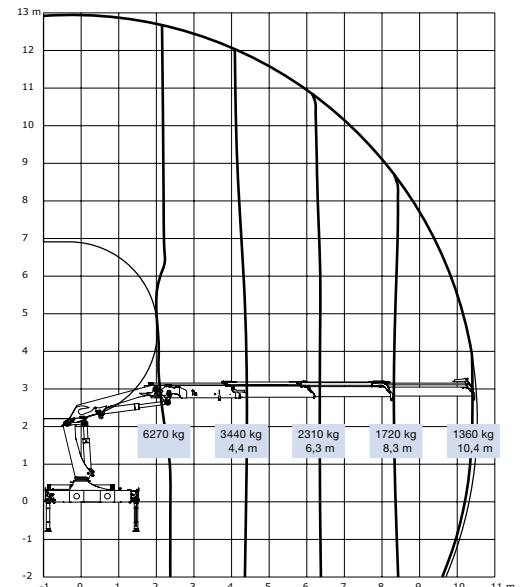
HMF 1720-K1



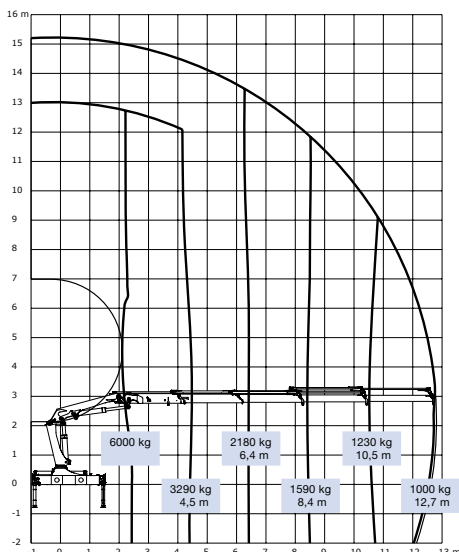
HMF 1720-K2



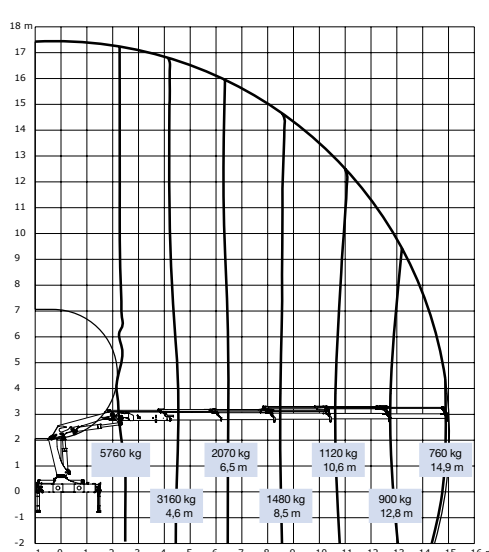
HMF 1720-K3



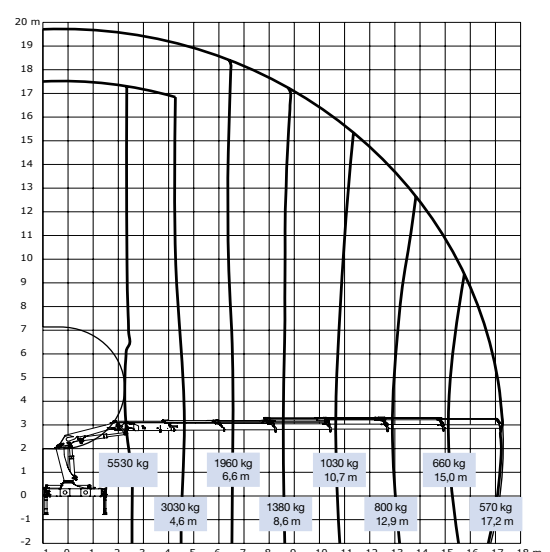
HMF 1720-K4



HMF 1720-K5



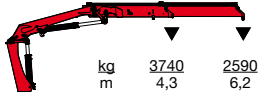
HMF 1720-K6



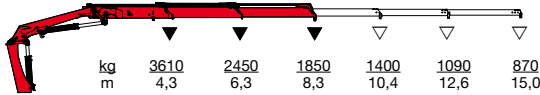
Loading group B3	Unit	1720-K1	1720-K2	1720-K3	1720-K4	1720-K5	1720-K6
Load moment	tm	16.0	15.6	15.1	14.7	14.4	14.0
Hydraulic reach	m	6.2	8.3	10.4	12.7	14.9	17.2
Slewing torque	kgm	1794	1794	1794	1794	1794	1794
Slewing angle	°	400	400	400	400	400	400
Max. heel at max. moment	°	5	5	5	5	5	5
Working pressure	Bar	330	330	330	330	330	330
Recommended pump performance	l/min	50	50	50	50	50	50
Height above chassis	mm	2250	2250	2250	2250	2250	2250
Length of loader, no extra valves	mm	820	820	820	820	820	820
Length of loader, with extra valves	mm	945	945	945	945	945	945
Width	mm	2500	2500	2500	2500	2500	2500
Stabilizer spread, standard	mm	4615	4615	4615	4615	4615	4615
Stabilizer spread, single	mm	5590	5590	5590	5590	5590	5590
Stabilizer spread, double	mm	6470	6470	6470	6470	6470	6470
Weight of standard loader excl. stabilizers*	kg	1420	1560	1700	1835	1955	2050
Weight of stabilizers, standard*	kg	200	200	200	200	200	200
Weight of stabilizers, single*	kg	235	235	235	235	235	235
Weight of stabilizers, double*	kg	300	300	300	300	300	300

*Weight excl. fittings, optional extras and oil

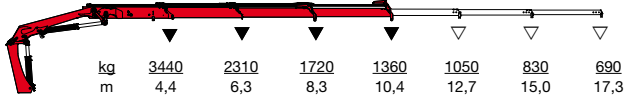
HMF 1720-K1



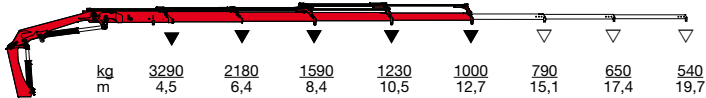
HMF 1720-K2



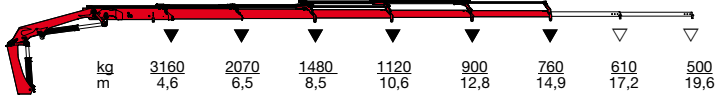
HMF 1720-K3



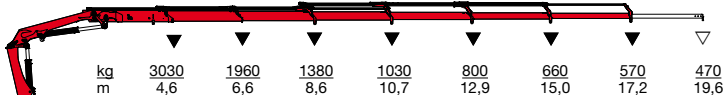
HMF 1720-K4



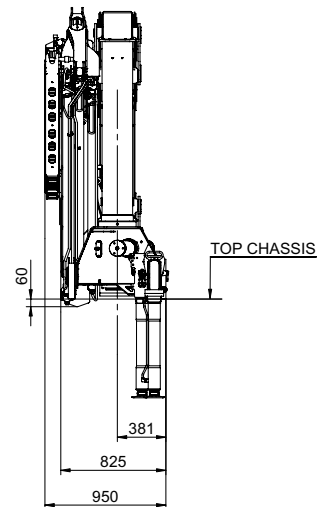
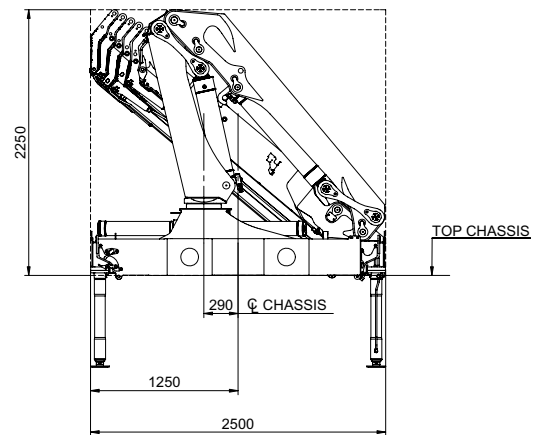
HMF 1720-K5



HMF 1720-K6

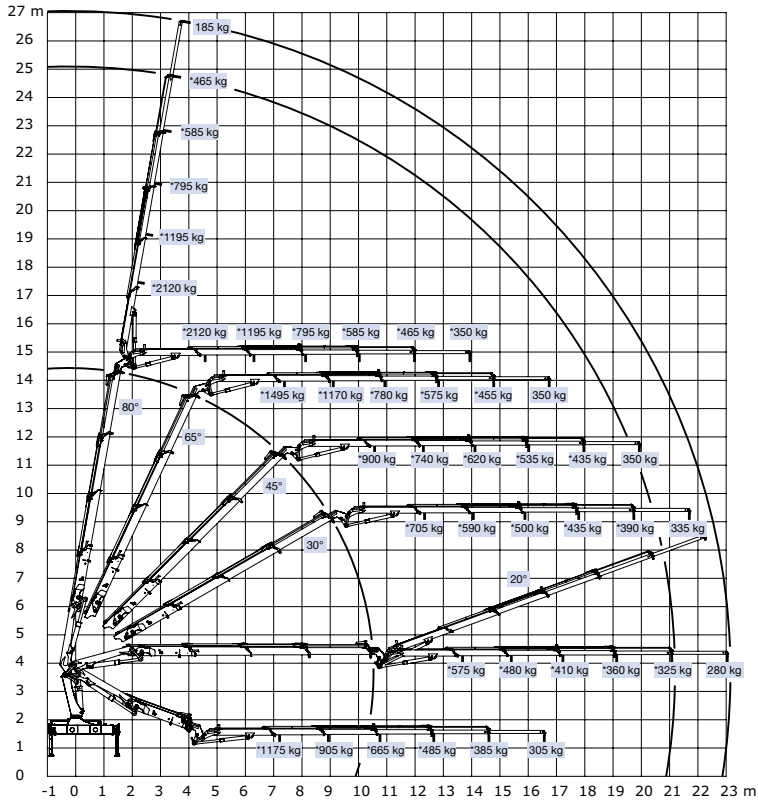


▼ Lifting capacity without manual extensions
 ▽ Lifting capacity with manual extensions

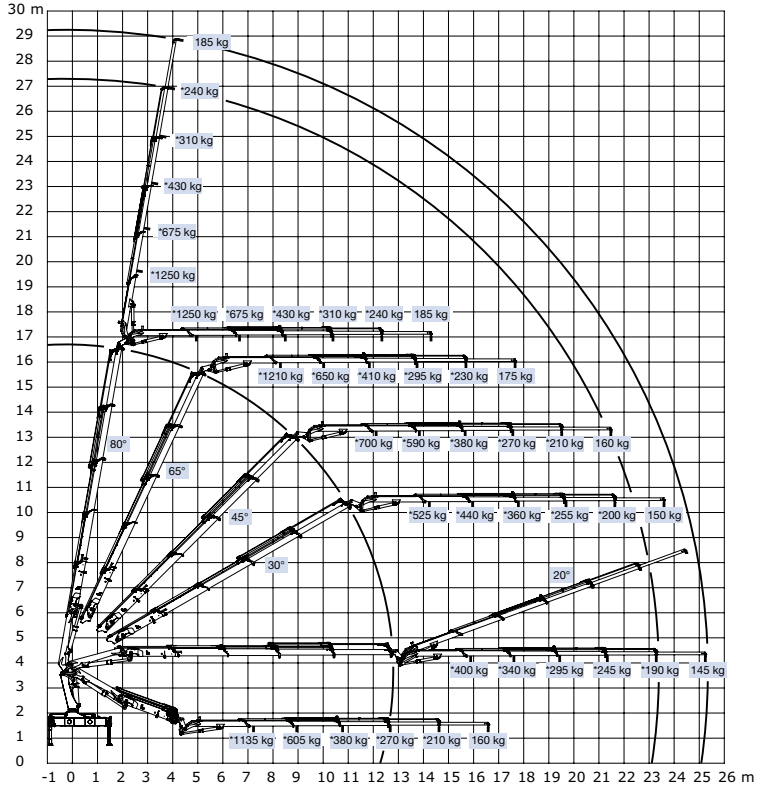


HMF Knuckle Boom Loader 1720-K

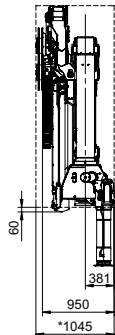
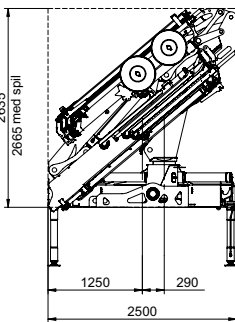
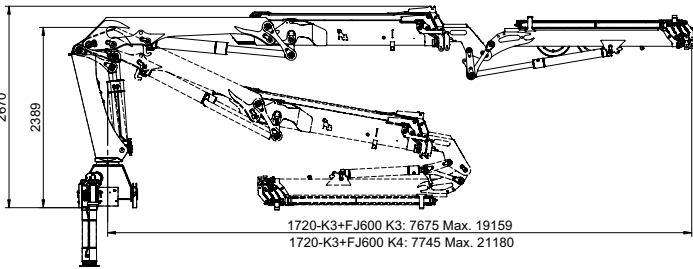
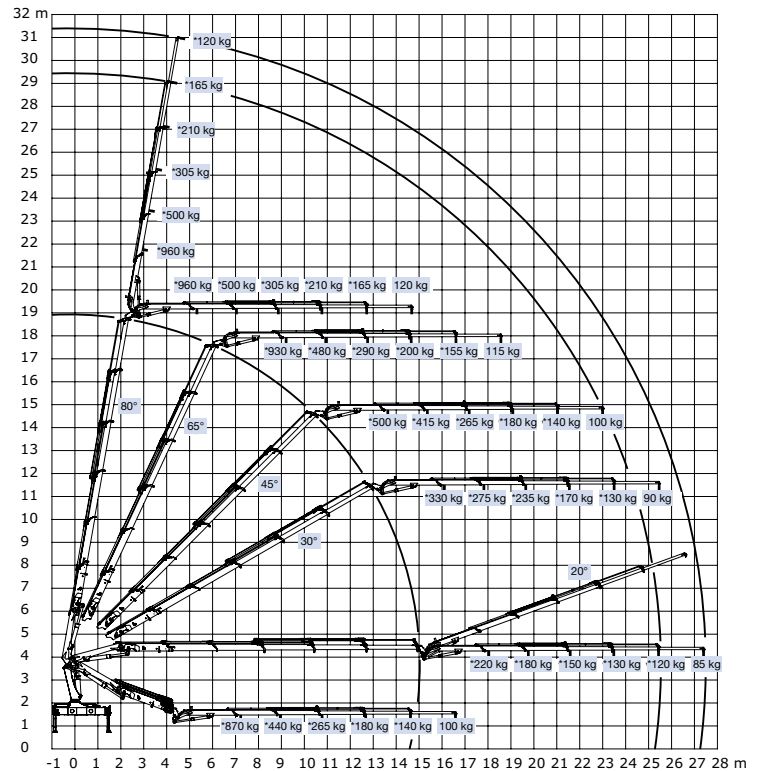
HMF 1720-K3 / FJ600-K4



HMF 1720-K4 / FJ350-K4



HMF 1720-K5 / FJ350-K4



Z008311-6



Højbjerg Maskinfabrik A/S • Oddervej 200 • DK-8270 Højbjerg
Tel.: +45 8627 0800 • Fax: +45 8627 0744 • info@hmf.dk

www.hmf.dk

We reserve the right to introduce improvements and modifications